

Alloy Steel Carabiner

Material - Alloy Steel
 Proof Load - 1.632kg (100% Proof Tested)
 Min. Breaking Load - 2.267kg
 Finish - heat treated , yellow zinc



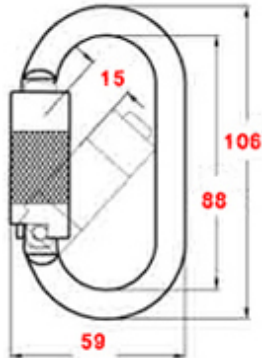
Self Locking



Triple Locking (TR)

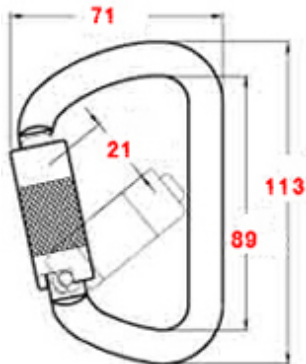


Captive Pin (CP)



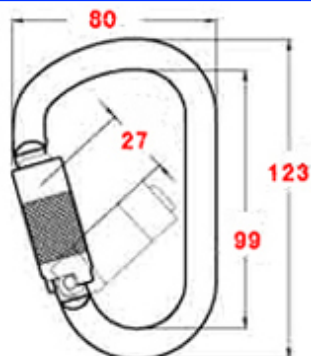
Net Weight - 205g

item No	Gate Strength	Gate Feature		Body
	1.632kg	Self Locking	Triple Locking	Captive Pin
NGA244			.	.
NGB244			.	.
NGC244			.	.
NGD244			.	.




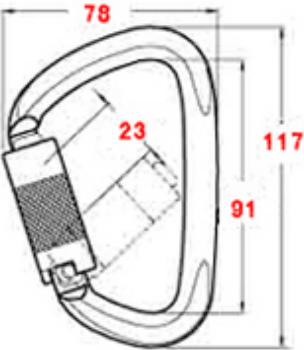
Net Weight - 288g


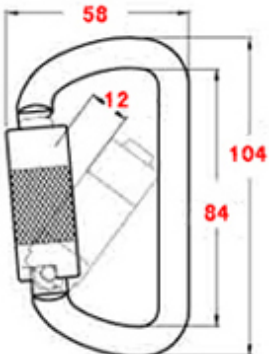
item No	Gate Strength	Gate Feature		Body
	1.632kg	Self Locking	Triple Locking	Captive Pin
NGA246			.	.
NGB246			.	.
NGC246			.	.
NGD246			.	.


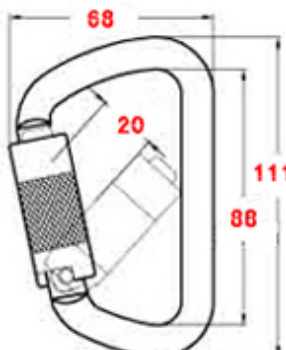



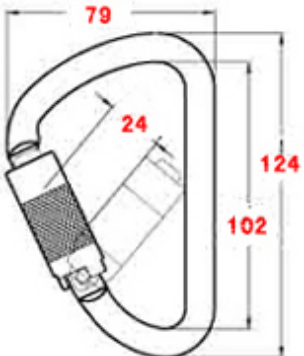
Net Weight - 312g


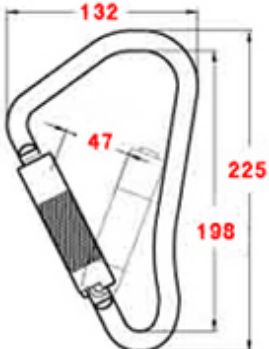
item No	Gate Strength	Gate Feature		Body
	1.632kg	Self Locking	Triple Locking	Captive Pin
NGA247			.	.
NGB247			.	.
NGC247			.	.
NGD247			.	.

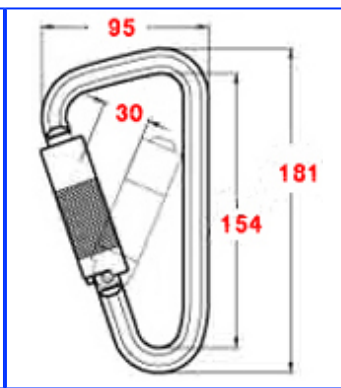
		Net Weight - 300g				
		item No	Gate Strength	Gate Feature		Body
			1.632kg	Self Locking	Triple Locking	Captive Pin
		NGA248			.	.
		NGB248		.		.
		NGC248			.	
NGD248		.				

		Net Weight - 200g				
		item No	Gate Strength	Gate Feature		Body
			1.632kg	Self Locking	Triple Locking	Captive Pin
		NGA250			.	.
		NGB250		.		.
		NGC250			.	
NGD250		.				

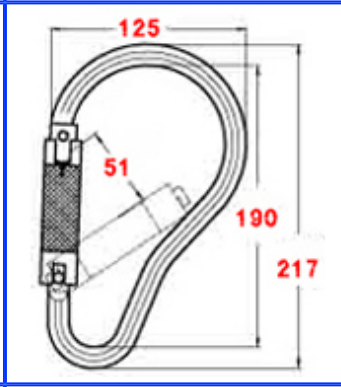
		Net Weight - 255g				
		item No	Gate Strength	Gate Feature		Body
			1.632kg	Self Locking	Triple Locking	Captive Pin
		NGA252			.	.
		NGB252		.		.
		NGC252			.	
NGD252		.				

		Net Weight - 265g				
		item No	Gate Strength	Gate Feature		Body
			1.632kg	Self Locking	Triple Locking	Captive Pin
		NGA256			.	.
		NGB256		.		.
		NGC256			.	
NGD256		.				

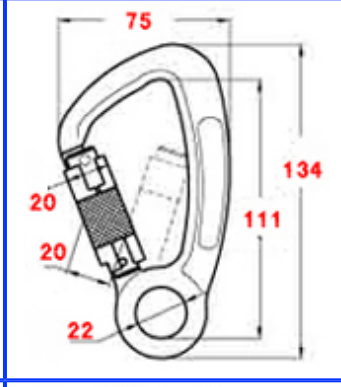
		Net Weight - 817g				
		item No	Gate Strength	Gate Feature		Body
			1.632kg	Self Locking	Triple Locking	Captive Pin
		NGA257			.	.
		NGB257		.		.
		NGC257			.	
NGD257		.				



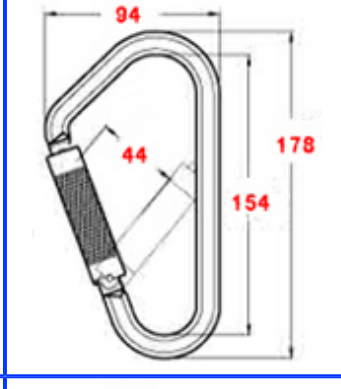
Net Weight - 638g				
item No	Gate Strength	Gate Feature		Body
	1.632kg	Self Locking	Triple Locking	Captive Pin
NGA258			.	.
NGB258		.		.
NGC258			.	
NGD258		.		



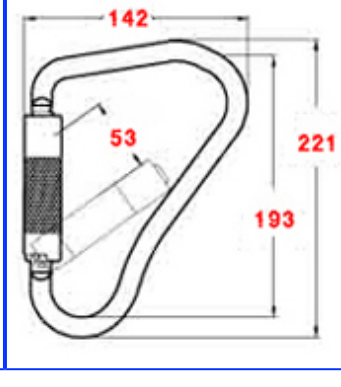
Net Weight - 782g				
item No	Gate Strength	Gate Feature		Body
	1.632kg	Self Locking	Triple Locking	Captive Pin
NGA259			.	.
NGB259		.		.
NGC259			.	
NGD259		.		



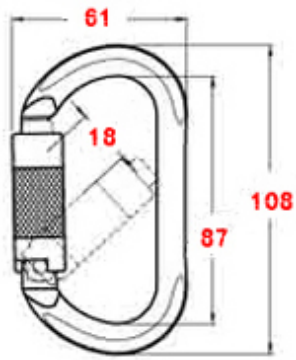
Net Weight - 285g				
item No	Gate Strength	Gate Feature		Body
	1.632kg	Self Locking	Triple Locking	Captive Pin
NGA261			.	.
NGB261		.		.
NGC261			.	
NGD261		.		



Net Weight - 450g				
item No	Gate Strength	Gate Feature		Body
	1.632kg	Self Locking	Triple Locking	Captive Pin
NGA263			.	.
NGB263		.		.
NGC263			.	
NGD263		.		

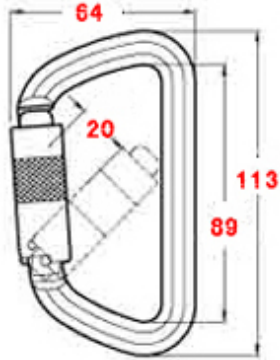


Net Weight - 860g				
item No	Gate Strength	Gate Feature		Body
	1.632kg	Self Locking	Triple Locking	Captive Pin
NGA265			.	.
NGB265		.		.
NGC265			.	
NGD265		.		



Net Weight - 300g

item No	Gate Strength	Gate Feature		Body
	1.632kg	Self Locking	Triple Locking	Captive Pin
NGA267			.	.
NGB267		.		.
NGC267			.	
NGD267		.		



Net Weight - 265g

item No	Gate Strength	Gate Feature		Body
	1.632kg	Self Locking	Triple Locking	Captive Pin
NGA268			.	.
NGB268		.		.
NGC268			.	
NGD268		.		

Please feel free to call : 02 - 896 - 5656 or contact us via e - mail(osc@mail.com) Reference : yoke